

DC 6.5-100V 0-50A LCD Display Digital Current Voltage Power Energy Meter Multimeter Ammeter Voltmeter with 50A Current Shunt

Item specifics

- DIY Supplies:Electrical
- Power Supply:DC
- Model Number:UN015-50A
- Display Type:Digital Only
- Measuring Range:6.5~100VDC
- Dimensions:50A
- Accuracy Class:1.0
- Item name:Large LCD Digital Combo Panel Meter Volt Amp Power Watt
- Power test range:0~5kW
- Energy test range:0~9999kWh
- Voltage test range:6.5~100V
- Display format:6.50~99.99V
- Current test range:0~50A
- Operating frequency:45~65 hz
- Dimensions:89.6mm(W) x 49.6mm(H) x 24.4mm(D)
- OEM Service:Accpetable
- Package Listing:1 x DC 6.5-100V 50A Power Multimeter

Product Description

Features:

Note:

To use large inverter interference environment, such as: non-linear DC and frequent power outages, harmonic interference relatively large environment, you will burn table.

A.Function

- 1.Electrical parameter measurement function (voltage, current, active power, energy)
- 2.Voltage alarm function (over voltage alarm threshold, backlight and voltage flashing to alarm).
- 3.The reset function of energy key.
- 4.Store data when power off.
- 5.Large-screen LCD (display voltage, current, active power, energy at the same time)
- 6.Backlight function.

B.Appearance and Key function

I. Display Interface

Display interface is large screen LCD, it can display voltage, current, power, energy parameters at the same time.

II. Display format

1. Power: test range: 0~5kW
2. Within 1KW, the display format is 0.0~999.9W;
3. 1KW and above, the display format is 1000~5000W.
4. Energy: test range: 0~9999kWh
5. Within 10KWh, the display format is 0~9999Wh;
6. 10kWh and above, the display format is 10~9999kWh.
7. Voltage: test range: 6.5~100V
8. Display format: 6.50~99.99V
9. Current: test range: 0~50A
10. Display format: 0.00~50.00

III. Key

Backlight control

Short press the key to turn on or off the backlight, the backlight has memory function, it can store the on or off state when power off.

Reset energy

Step1: Long press the key until the power display area display "CLr", then release the key.

Step2: At this moment, the energy is flashing to prompt this is the energy reset state, if short press the key again, then the energy value is cleared and exit the reset flashing state.

Step 3: If there is no operation within 5 seconds, it means the energy value is not cleared and will exit the reset state.

Set voltage alarm threshold

Step1: Long press the key until the power display area display "SET", then release the key.

Step2: After enter this state, the voltage area display the current high voltage alarm value, the current area display the current low voltage alarm value and the last digit begin to flash, then you can short press to plus 1, when there is no operation over 3 seconds, it will switch the digit position automatically, from the high voltage alarm value to the low voltage alarm value, there are total six digits, the range of the voltage alarm threshold is 6.5~99.9V;

Step3: After finish the setting, long press the key until the screen display "PASS",that means you set successfully and will exit the setting state automatically.

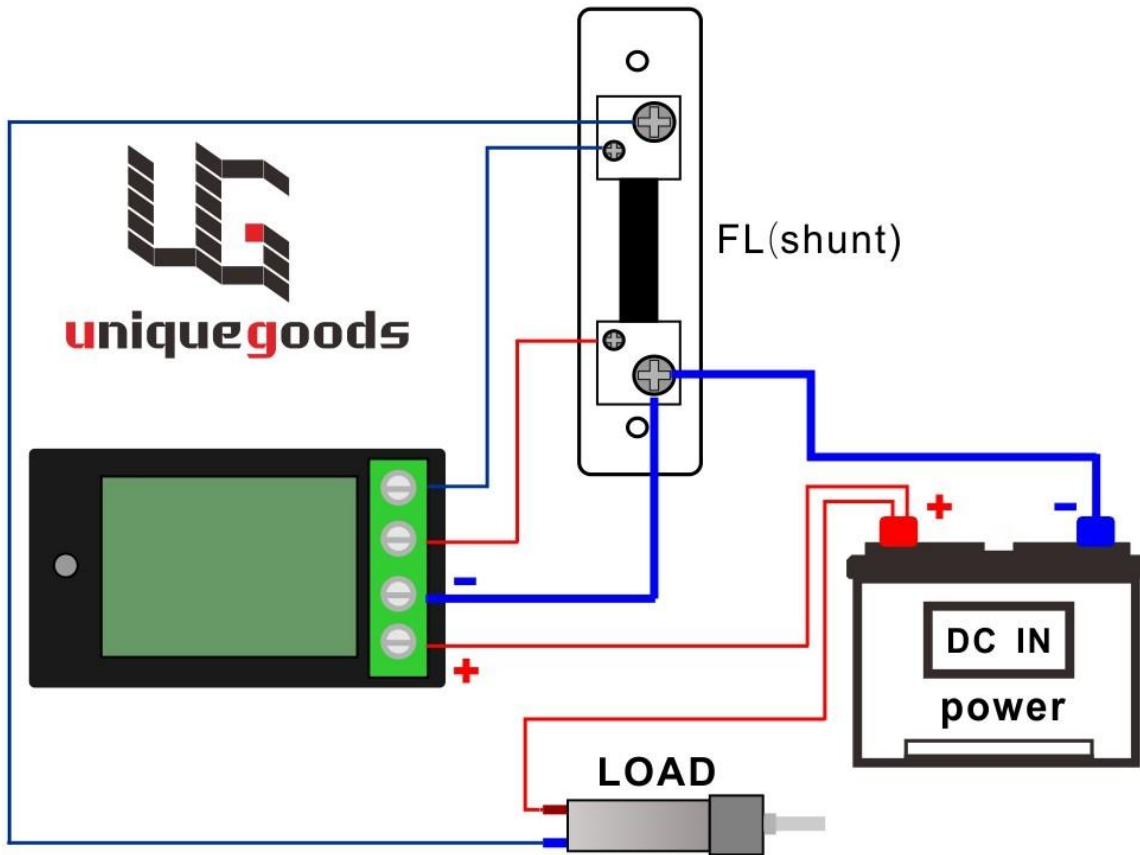
C. Precautions

1. This module is suitable for indoor, please do not use outdoor.
2. Applied load should not exceed the rated voltage, current.
3. Wiring order can't be wrong.

D. Specification parameters

1. Working voltage: 6.5~100VDC
2. Test voltage: 6.5~100VDC
3. Rated power: 50A/5000W
4. Measurement accuracy: 1.0 grade

Wiring Diagram



WARNING: Do not directly connected the power "-" to meter, please power "-" connected to the shunt first, then the shunt wire to meter.